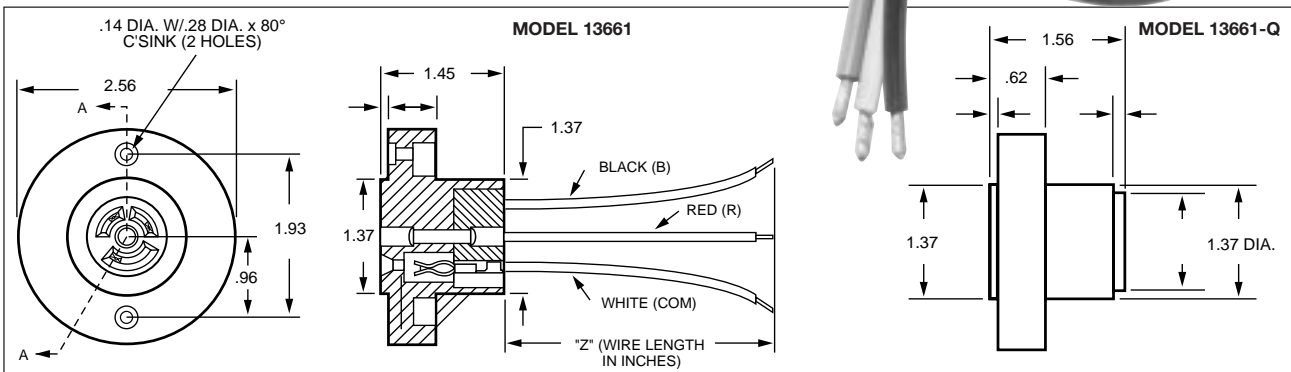
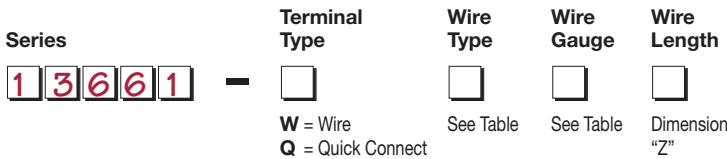


Photo Control Receptacle Series

- 3-pole, 3-wire receptacles for plug-in, locking type photo controls used in outdoor areas and roadway lighting.
- Receptacle configuration, terminals and limiting dimensions are in accordance with Figure 3 of EE Pub. No. TDJ-146, NEMA Pub. No. SH 16-1962 and UL 773.
- Wire types and sizes ranging from #12 AWG through 16 AWG rated at 600V with temperature ratings from 105° to 200°C.
- Hook-up wires are an integral part of the assembly with lengths furnished to customer specification.
- Available with .250 quick-connect terminals in lieu of wire leads (13661-Q).
- UL recognized under file E65288 for a rating of 1 KW or 1800VA for potentials up to 480V.
- CSA certified under file LR21295 for 15 amps at 125V.
- CE Pending.



Part Numbering System



ASS'Y NO.	WIRE DESCRIPTION
13661-W1XX	Min. of 26 Strands, Copper Conductor, 125°C-600V Crosslinked Polyethylene.
13661-W2XX	Min. of 26 Strands, Copper Conductor, Silicone Rubber Insulation And Fiber Glass Braid Jacket, Nec. Type SFF-2(150°C)
13661-W3XX	Min. Of 26 Strands, Copper Conductor, Type TW, 105°C-600V Insulation (16 gauge only).
13661-W4XX	Min. of 7 Strands, Copper Conductor Of .0192 Silicone Rubber Insulation And Fiber Glass Braid Jacket, Nec. Type SF-2 (200°C)
13661-W5XX	Min. Of 19 Strands, Copper Conductor, Type AWM. 105°C-600V Insulation.

ASS'Y NO.	GAUGE
13661-WX2X	12 Gauge
13661-WX4X	14 Gauge
13661-WX6X	16 Gauge

