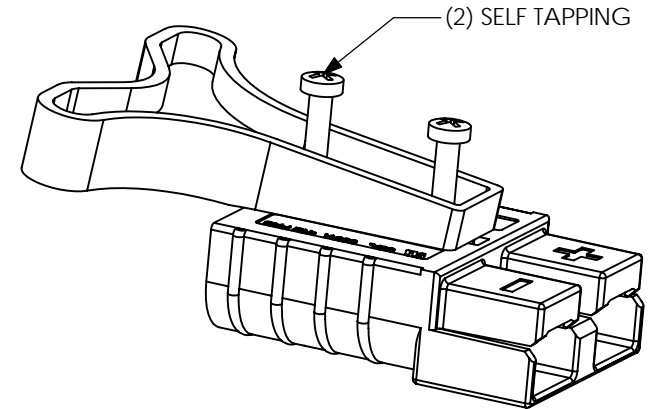
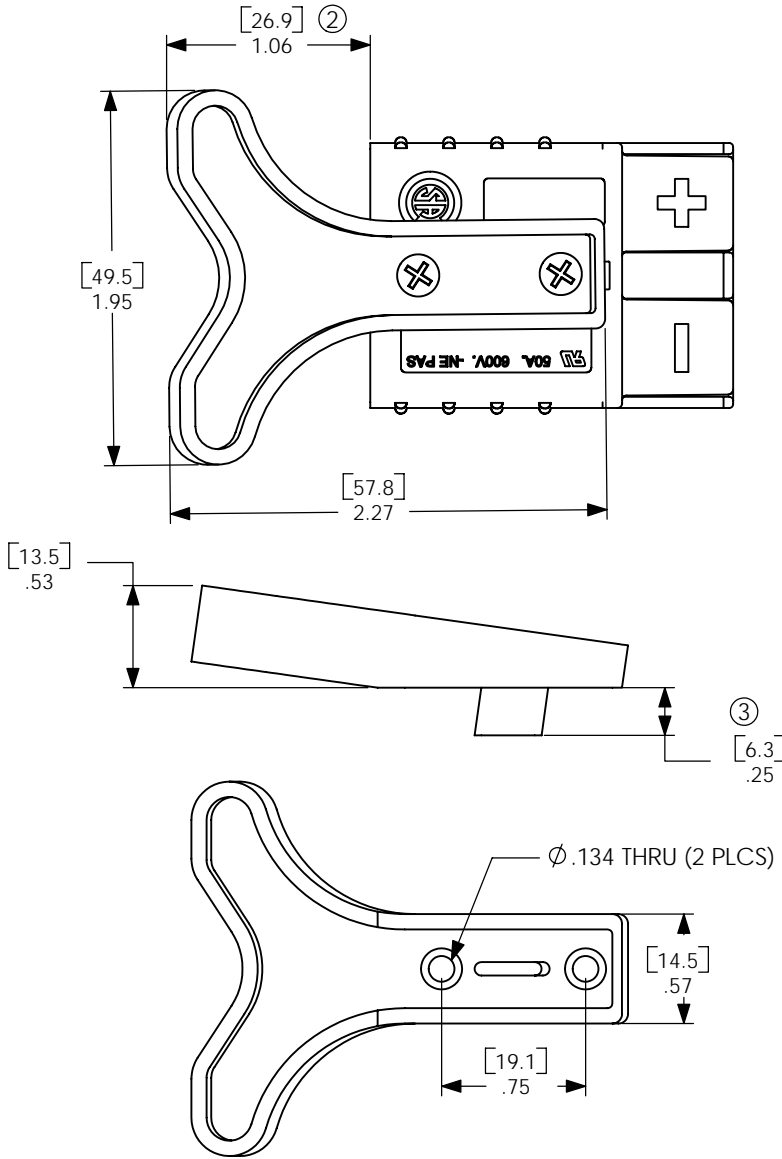
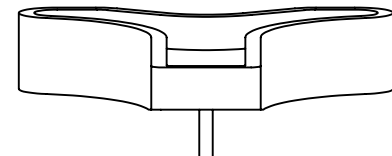


THE INFORMATION CONTAINED IN THIS DRAWING IS THE SOLE PROPERTY OF ANDERSON POWER PRODUCTS. ANY REPRODUCTION IN PART OR WHOLE WITHOUT THE WRITTEN PERMISSION OF ANDERSON POWER PRODUCTS IS PROHIBITED.

REV.	DESCRIPTION OF CHANGES	BY:	DATE
1	ECRN 13383- REDRAWN	CMS	4/5/01
2	ECRN 13458: 1.06 WAS 1.00	CMS	2/6/02
3	ECRN 14075: ADD .25 DIMENSION	JA	10/24/06



MOUNTING ORIENTATION



NOTES:

1. HANDLE COLOR- RED
2. SCREWS: STEEL, ZINC PLATED
3. KIT INCLUDES HANDLE AND TWO SELF TAPPING SCREWS

COPYRIGHT 2001 ANDERSON POWER PRODUCTS. ALL RIGHTS RESERVED. UNAUTHORIZED REPRODUCTION HEREBY PROHIBITED.

DIMENSIONS ARE IN INCHES DIMENSIONS IN PARENTHESES [ ] ARE IN MILLIMETERS		CAD GENERATED DRAWING, DO NOT MANUALLY UPDATE		<b>ANDERSON POWER PRODUCTS</b>			
TOLERANCES ARE: 2PL- ±.02 [±.5]		APPROVALS	DATE			CATALOG NUMBER: SB50-HDL-RED SB50 PLASTIC HANDLE	
MATERIALS: PC		DRAWN	GN 6/3/96	SIZE: A SPECIFICATION: <b>113923S1</b> REV. 3			
FINISH AS MOLDED		CHECKED	CMS 8/25/97				
DO NOT SCALE DRAWING		RESP ENG	UFN 8/26/97				
		MFG ENG	KJ 8/25/97	SCALE: NONE			
		QUAL ENG	DJM 8/26/97	CADFILES/01422			
				SHEET 1 OF 1			