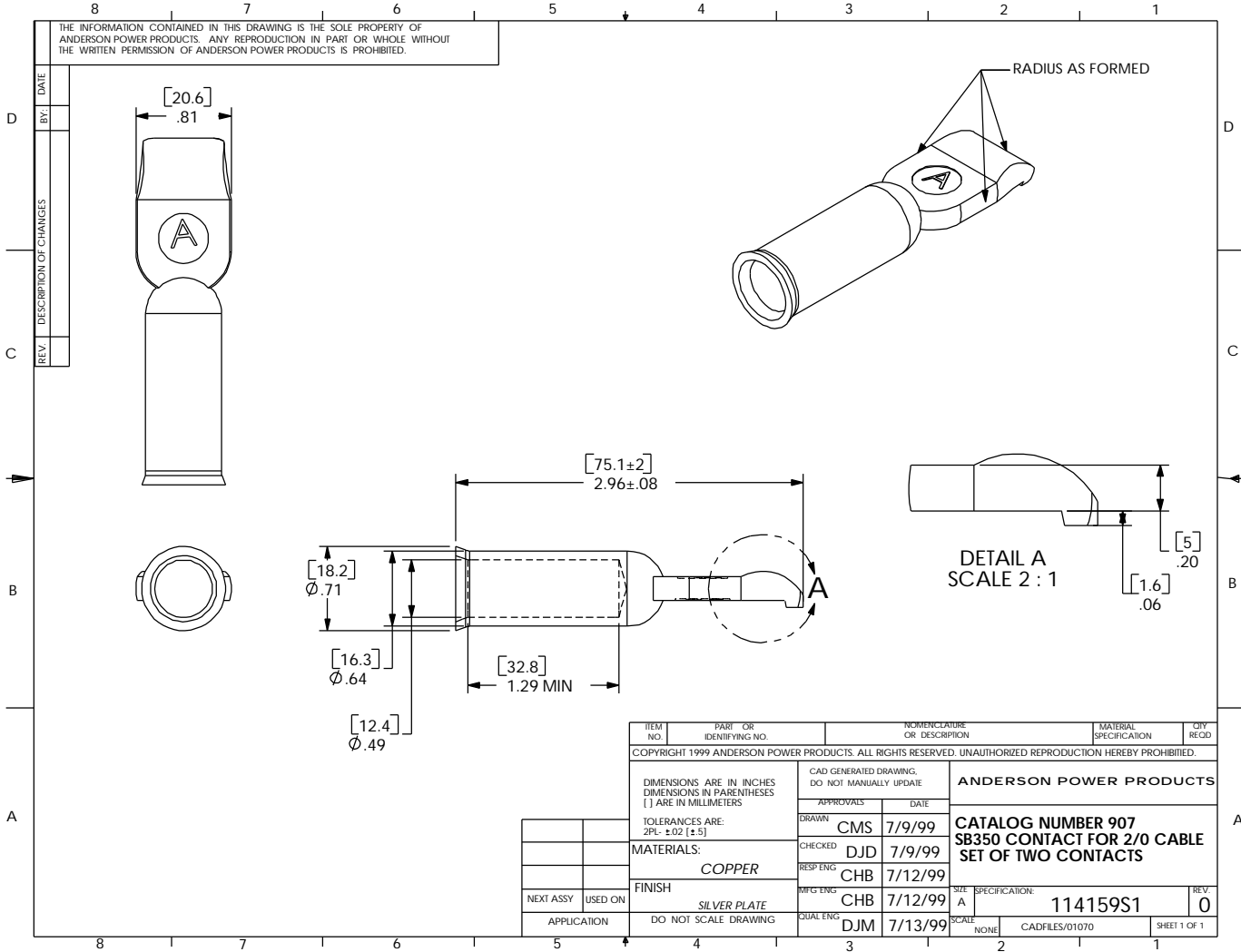


THE INFORMATION CONTAINED IN THIS DRAWING IS THE SOLE PROPERTY OF ANDERSON POWER PRODUCTS. ANY REPRODUCTION IN PART OR WHOLE WITHOUT THE WRITTEN PERMISSION OF ANDERSON POWER PRODUCTS IS PROHIBITED.



ITEM NO.	PART OR IDENTIFYING NO.	NOMENCLATURE OR DESCRIPTION	MATERIAL SPECIFICATION	QTY. REQ'D
COPYRIGHT 1999 ANDERSON POWER PRODUCTS. ALL RIGHTS RESERVED. UNAUTHORIZED REPRODUCTION HEREBY PROHIBITED.				
DIMENSIONS ARE IN INCHES DIMENSIONS IN PARENTHESES [ ] ARE IN MILLIMETERS		CAD GENERATED DRAWING. DO NOT MANUALLY UPDATE		
TOLERANCES ARE: 2PL ±.02 [±.5]		ANDERSON POWER PRODUCTS		
MATERIALS: <i>COPPER</i>		CATALOG NUMBER 907 SB350 CONTACT FOR 2/O CABLE SET OF TWO CONTACTS		
FINISH <i>SILVER PLATE</i>		SIZE SPECIFICATION: A 114159S1		
APPLICATION DO NOT SCALE DRAWING		SCALE: NONE CADFILES/01070 SHEET 1 OF 1		