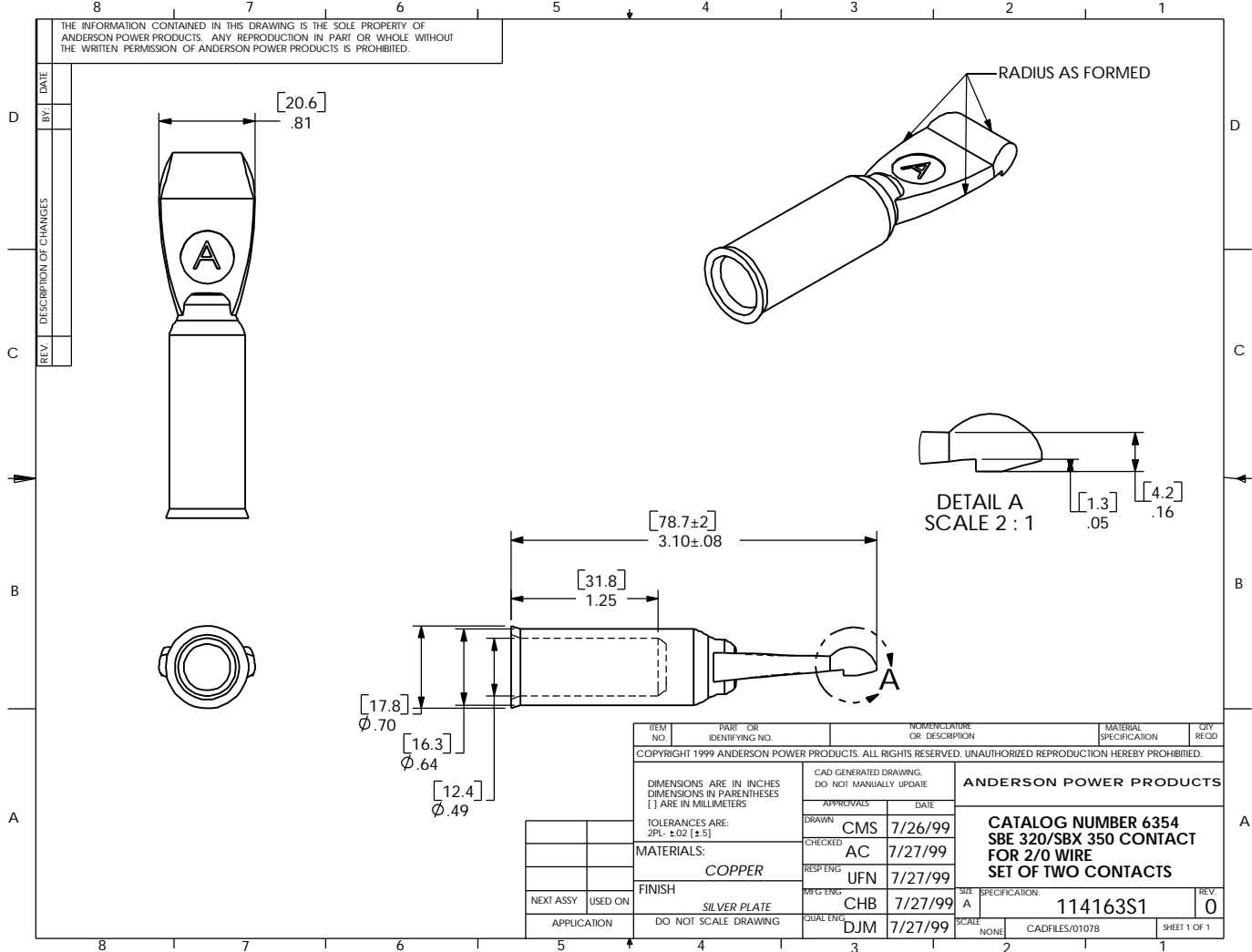


THE INFORMATION CONTAINED IN THIS DRAWING IS THE SOLE PROPERTY OF ANDERSON POWER PRODUCTS. ANY REPRODUCTION IN PART OR WHOLE WITHOUT THE WRITTEN PERMISSION OF ANDERSON POWER PRODUCTS IS PROHIBITED.



REV.	DESCRIPTION OF CHANGES	BY:	DATE

ITEM NO.	PART OR IDENTIFYING NO.	NOMENCLATURE OR DESCRIPTION	MATERIAL SPECIFICATION	QTY. REQ'D
COPYRIGHT 1999 ANDERSON POWER PRODUCTS. ALL RIGHTS RESERVED. UNAUTHORIZED REPRODUCTION HEREBY PROHIBITED.				
DIMENSIONS ARE IN INCHES DIMENSIONS IN PARENTHESES [] ARE IN MILLIMETERS		CAD GENERATED DRAWING. DO NOT MANUALLY UPDATE		
TOLERANCES ARE: 2PL ±.02 [±.5]		APPROVALS DATE		
MATERIALS: <i>COPPER</i>		DRAWN CMS 7/26/99		
FINISH <i>SILVER PLATE</i>		CHECKED AC 7/27/99		
NEXT ASSY USED ON		RESP ENG UFN 7/27/99		
APPLICATION DO NOT SCALE DRAWING		MFG ENG CHB 7/27/99		
		QUAL ENG DJM 7/27/99		
		SIZE SPECIFICATION: A 114163S1		REV. 0
		SCALE: NONE CADFILES/01078		SHEET 1 OF 1

DETAIL A
SCALE 2 : 1

RADIUS AS FORMED